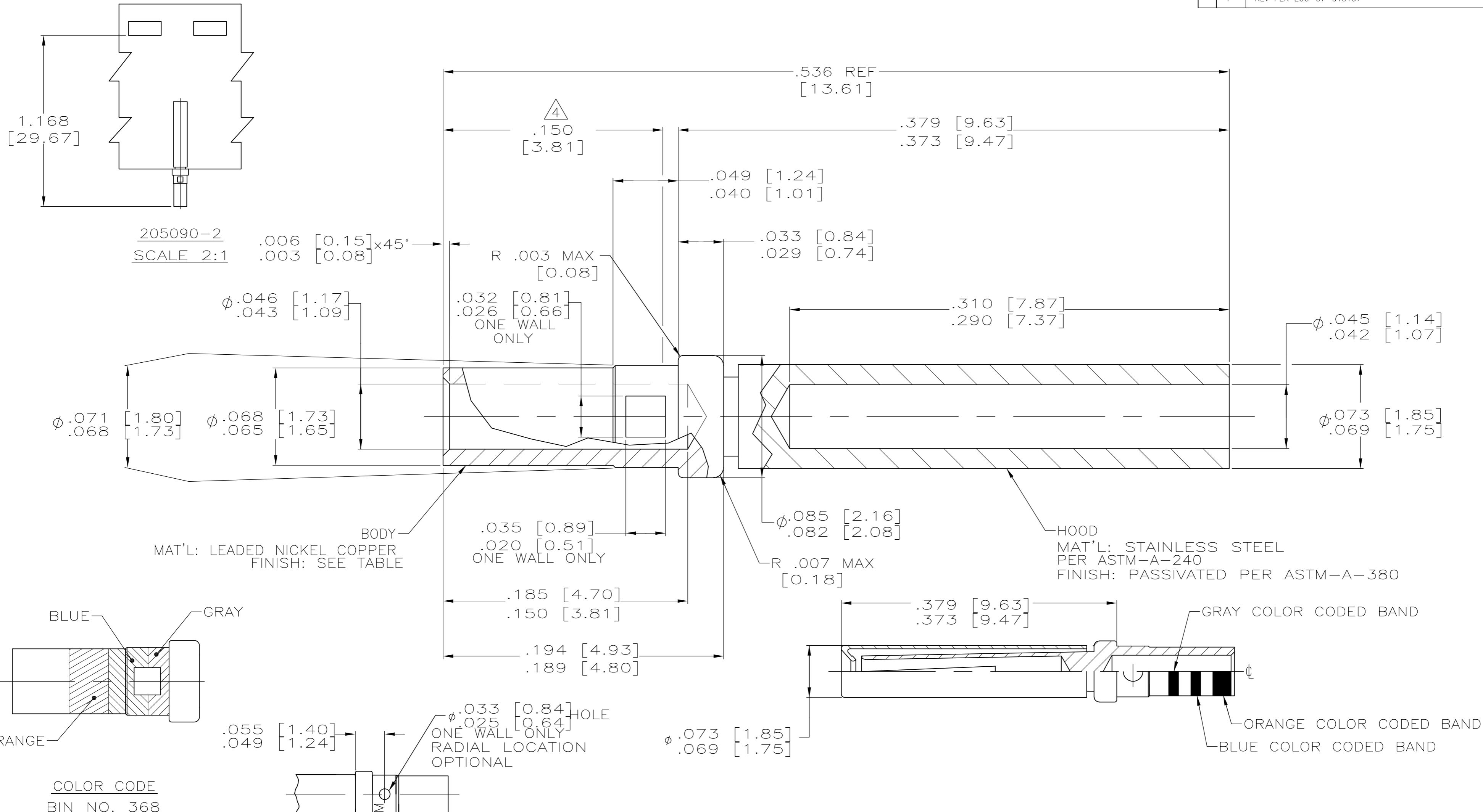


THIS DRAWING IS UNPUBLISHED. RELEASED FOR PUBLICATION
 © COPYRIGHT BY TYCO ELECTRONICS CORPORATION. ALL RIGHTS RESERVED.

LOC		DIST		REVISIONS			
P	LTR	DESCRIPTION	DATE	DWN	APVD		
DF	DO						
	P	REV PER ECO-07-010137	23MAY07	PY	ND		



- ALL DIMENSIONS APPLY AFTER PLATING.
- THIS DRAWING COMPLIES WITH SPECIFICATION MIL-C-39029/63 AND M24308/10-1.
- ALL DIAMETERS CONCENTRIC WITH EACH OTHER WITHIN .004 T.I.R.
- POINT OF PLATING MEASUREMENT .150 [3.81] FROM WIRE BARREL END OF CONTACT.
- ALL SURFACES HAVE $\sqrt{63}$ OR BETTER FINISH.
- GOLD PLATED PER ASTM-B-488 TYPE 3, GRADE C, CLASS 1.25 OVER NICKEL PER QQ-N-290.
- GOLD PLATED PER ASTM-B-488 TYPE 3, GRADE C, CLASS .75 OVER NICKEL PER QQ-N-290.
- SLEEVE MAY BE CRIMPED, DIMPLED OR PRESS FIT TO BODY

SUPERSEDED BY 1218267-3	NO		LOOSE PIECE	205090-7
	YES		TAPE MOUNTED	205090-2
	YES		LOOSE PIECE	205090-1
COLOR CODE	FINISH	DESCRIPTION	PART NUMBER	

THIS DRAWING IS A CONTROLLED DOCUMENT.		DWN	C.C.THOMAS	8-17-04	Tyco Electronics Corporation Harrisburg, PA 17105-3608
DIMENSIONS: INCHES		CHK	D.MILLER	8-17-04	
TOLERANCES UNLESS OTHERWISE SPECIFIED:		APVD	D.MILLER	8-17-04	
0 PLC ± - 1 PLC ± - 2 PLC ± - 3 PLC ± .005 [0.13] 4 PLC ± - ANGLES ± -		PRODUCT SPEC	NAME		
MATERIAL: SEE CALLOUTS		FINISH	SEE CALLOUTS		CONTACT ASSY, SOCKET, SIZE 20, AMPLIMITE
CUSTOMER DRAWING		WEIGHT	-		SIZE: A2 CAGE CODE: 00779 DRAWING NO: C=205090
SCALE: 20:1		SHEET	1 OF 1		RESTRICTED TO: -